

**MW antenna tuning unit 1170 kHz, 100 kW**

**Peshawar (Pakistan)**



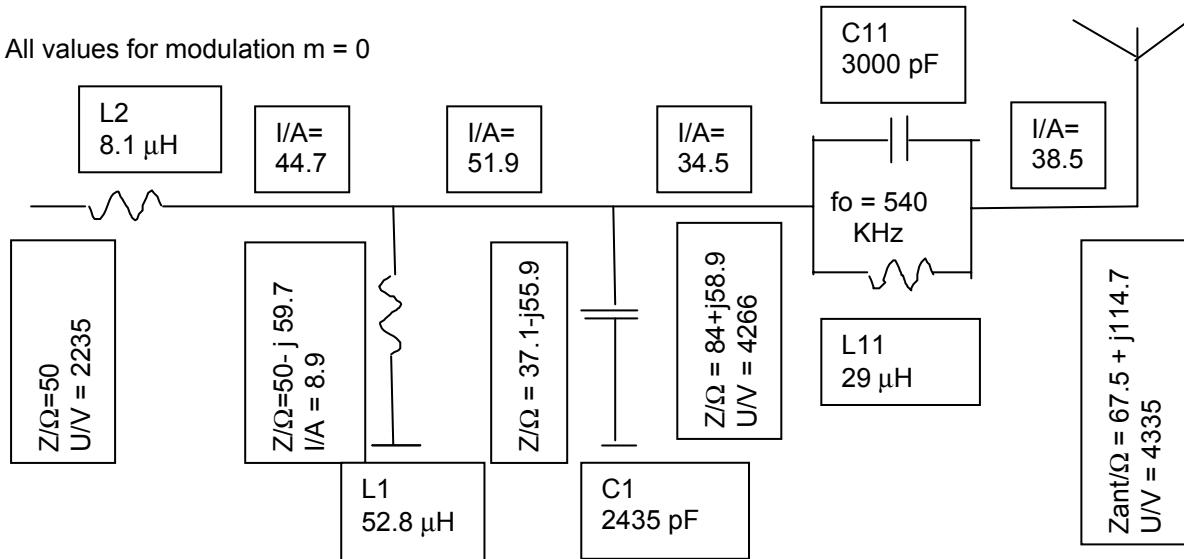
**Technical Report**

**MW antenna tuning unit 1170 kHz, 100 kW**

**Peshawar (Pakistan)**

**Antenna tuning unit, f = 1170 kHz, 100 kW ( Technical data )**

All values for modulation m = 0

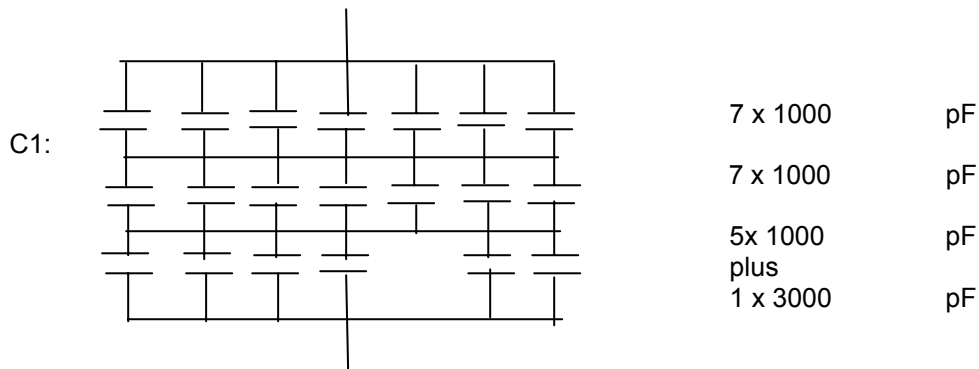


**rejection filter:**

C11:	3x1000 pF in parallell	3000 pF	- 45.3 Ω
L11:	windings: n=17 total n=16.2 active	29 μH	212.9 Ω

**antenna tuning unit:**

L1:	n= 12 1/4	52.8 μH	388 Ω
L2:	n= 4	8.1 μH	59.7 Ω
C1:	7x1000 pF in parallel in series 7x1000 pF in parallel in series 5x1000 pF plus 1x3000 pF in parallel	2435 pF	- 55.9 Ω



**MW antenna tuning unit 1170 kHz, 100 kW**

**Peshawar (Pakistan)**

Impedance at the output of the transmitter.

f/kHz	R/ $\Omega$	j X/ $\Omega$
1170	48	0
1173	48.8	0
1174,5	48	0
1167	48.7	0
1165,5	49	+2.3